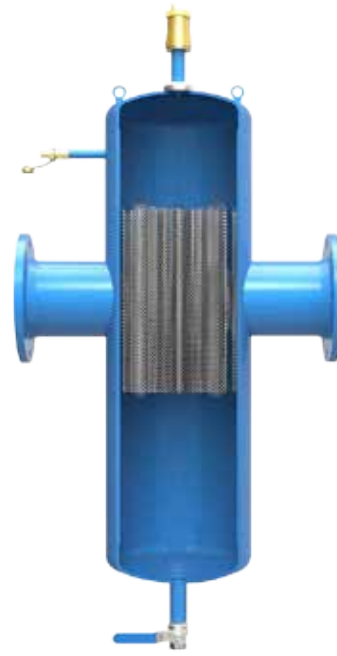




Outer Appearance



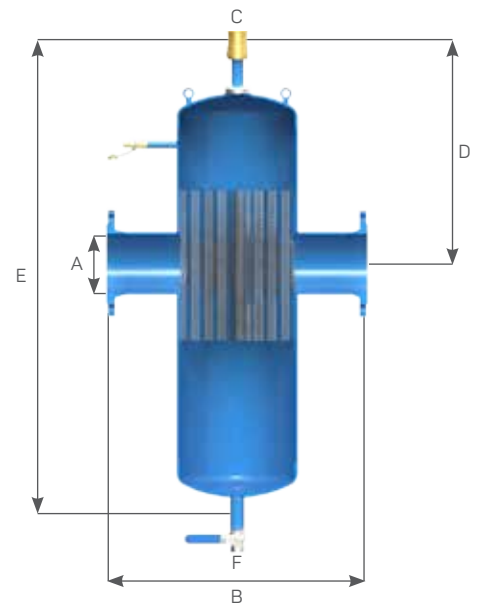
Side Section View

<b>Capacity</b>	: 8,5 – 320,0 m <sup>3</sup> /sa
<b>Maximum Operating Temperature</b>	: 110 °C
<b>Connection Flange / Pressure Class</b>	: DN 50 – DN 300 / PN16 (EN1092-1) (Please contact us for products larger than specified in this catalogue)
<b>Filter Material</b>	: Stainless Steel
<b>Exterior Surface Protection Paint</b>	: DN 50 – DN 200 Electrostatic Powder Paint : DN 250 – DN 300 Water Based Paint

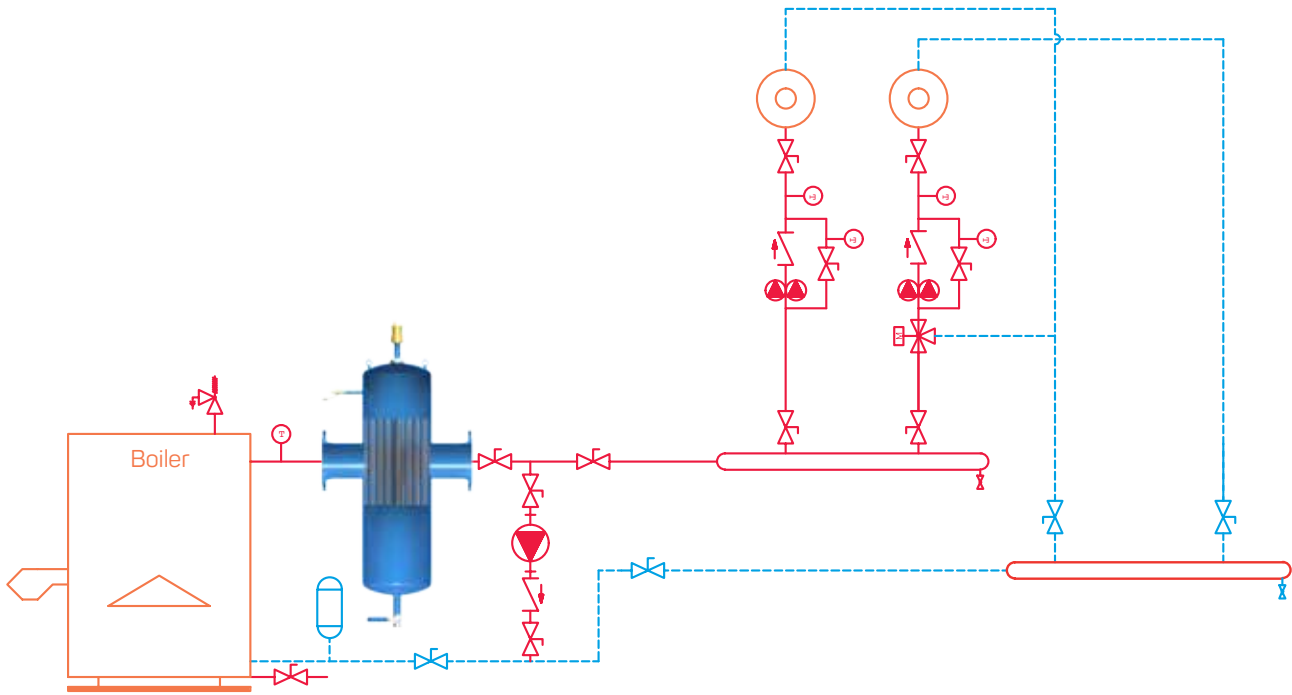
**SPECIFICATIONS / USAGE AREAS**

KPH series product provide air and dirt separation together in one unit. Due to the dual function it is cost and installation space efficient.

- If there are some limitations to install air and dirt separator separately the KPH series will be the ideal solution.
- The efficient and continuous separation of air and impurities circulating in the heating system considerably increases the efficiency and service life of the whole system.
- Percentage of glycol in the heating system is maximum 50%



## Installation Diagram



Installation diagram given above is just a template. Installation must be done according to update standards and directives.

### KPH-F Flanged Deaerator-Dirt Separator

TYPE	A (DN)	Body Diameter (Ø)	B (mm)	C (inch)	D (mm)	E (mm)	F (inch)	Weight (kg)	Flow (m <sup>3</sup> /h)
KPH-F 50	DN 50	168	350	1/2"	374	775	1 1/4"	18	8,50
KPH-F 65	DN 65	168	350	1/2"	374	775	1 1/4"	19	14,50
KPH-F 80	DN 80	219	466	1/2"	436	912	1 1/4"	33	22,00
KPH-F 100	DN 100	219	470	1/2"	436	912	1 1/4"	35	34,00
KPH-F 125	DN 125	323	635	1/2"	541	1245	1 1/4"	82	59,00
KPH-F 150	DN 150	323	635	1/2"	541	1245	1 1/4"	85	86,00
KPH-F 200	DN 200	400	774	1/2"	815	1915	2"	209	140,00
KPH-F 250	DN 250	450	860	1/2"	900	2125	2"	343	222,00
KPH-F 300	DN 300	500	926	1/2"	980	2315	2"	512	320,00

### KPH-K Welded Deaerator-Dirt Separator

TYPE	A (inch)	Body Diameter (Ø)	B (mm)	C (inch)	D (mm)	E (mm)	F (inch)	Weight (kg)	Flow (m <sup>3</sup> /h)
KPH-K 50	2"	168	260	1/2"	374	775	1 1/4"	14	8,50
KPH-K 65	2 1/2"	168	260	1/2"	374	775	1 1/4"	15	14,50
KPH-K 80	3"	219	366	1/2"	436	912	1 1/4"	25	22,00
KPH-K 100	4"	219	366	1/2"	436	912	1 1/4"	35	34,00
KPH-K 125	5"	323	525	1/2"	541	1245	1 1/4"	73	59,00
KPH-K 150	6"	323	525	1/2"	541	1245	1 1/4"	75	86,00
KPH-K 200	8"	400	650	1/2"	815	1915	2"	186	140,00
KPH-K 250	10"	450	720	1/2"	900	2125	2"	310	222,00
KPH-K 300	12"	500	770	1/2"	980	2315	2"	465	320,00